

CABLE 256 RF: RF CABLE ASSEMBLY, I-PEX MHF 4L+ FRONT MOUNT SMA S/T BULKHEAD JACK WITH O-RING + 1.13 CABLE, BLACK - 6GHz

SPECIFICATIONS :

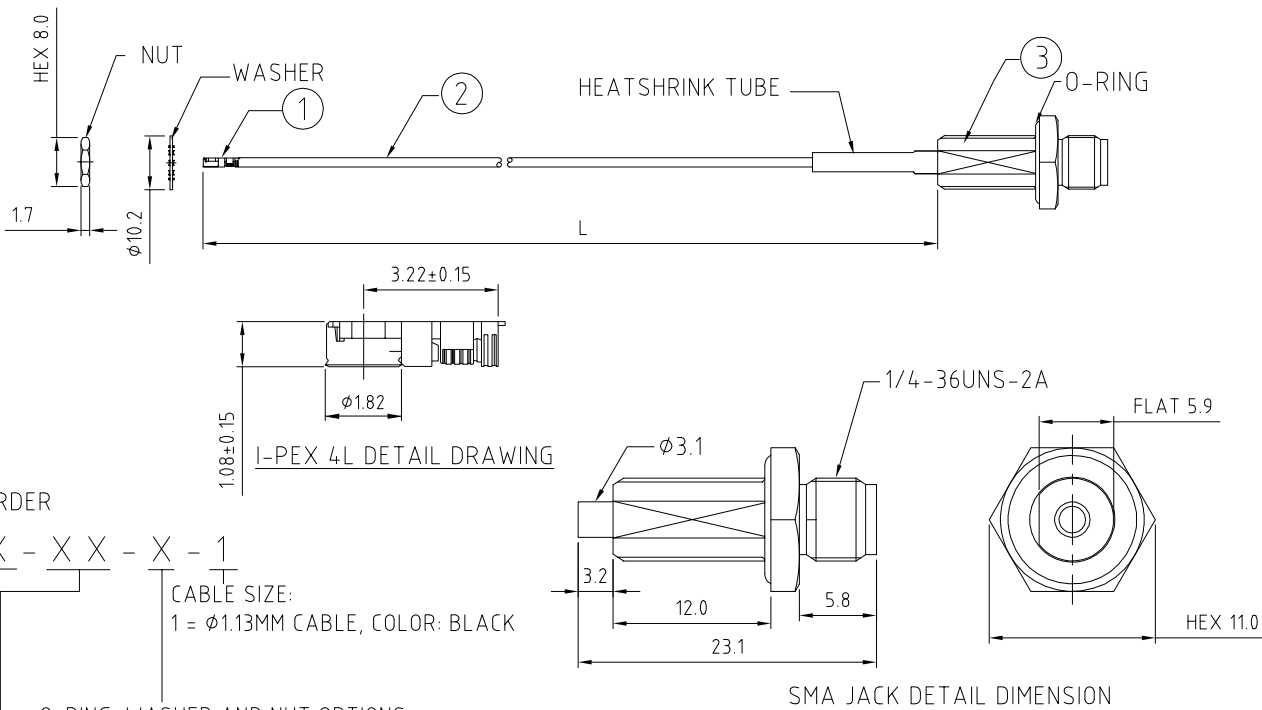
1. I-PEX MHF 4L PLUG, P/N: 20565-001R-13
2. $\phi 1.13$ MM COAXIAL CABLE, COLOR: BLACK
3. FRONT MOUNT SMA STRAIGHT BULKHEAD JACK WITH O-RING (RFCT-SMA009-F13).

NOTES:

1. THE ORIENTATION OF CONNECTORS ON DRAWING IS FOR REFERENCE ONLY, IF THE ORDER IS LEFT BLANK THE CONNECTOR WILL NOT HAVE FIXED ORIENTATION.
2. FIXED ORIENTATION IS SUGGESTED FOR CABLE LENGTH 25MM TO 100MM. PLEASE SPECIFY THE FIXED ORIENTATIONS FROM THE ORDER CODE (F1, F2, ETC)
3. CONTACT GRADCONN IF THE ORIENTATION YOU REQUIRE IS NOT SHOWN.
4. WORKING FREQUENCY RANGE: DC - 6GHz
5. OPERATING TEMPERATURE: -40°C TO +85 °C
6. IMPEDANCE: 50 OHM
7. IT IS INTENDED THAT MOUNTING OF THIS CONNECTOR IS ACHIEVED USING THE NUT AND WASHER PROVIDED. PLEASE CONTACT GRADCONN FOR ADVISE IF PLANNING TO USE A DIFFERENT METHOD OF MOUNTING.

USAGE PRECAUTIONS: CABLES USING 'MICRO' COAX ARE DELICATE:

- (i) HANDLE WITH CARE.
- (ii) DO NOT TWIST; APPLY EXCESSIVE FORCES OR SHARP BENDS TO THE CABLE. DO NOT FORCEFULLY DEFORM WIRES.
- (iii) CONSULT CONNECTOR MANUFACTURER'S DATASHEETS FOR DETAILED NOTES ON HANDLING INSTRUCTIONS.



HOW TO ORDER

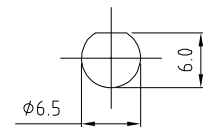
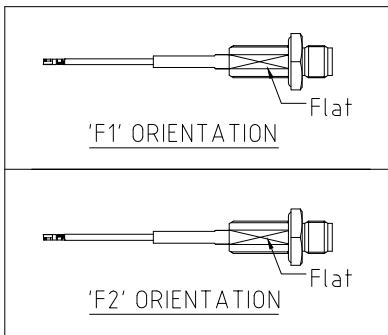
CABLE 256 RF - X X X - X X - X - 1

"L" LENGTH IN MM:
 eg: 100MM = 100
 (MIN. 025-MAX.400)
 STANDARD = 100, 150, 200)
 Tolerance: <50mm : ±2mm.
 51-200mm: ±5mm.
 201-400mm: ±7mm.

CABLE SIZE:
 1 = $\phi 1.13$ MM CABLE, COLOR: BLACK

O-RING, WASHER AND NUT OPTIONS:
 BLANK = SEPARATELY PACKED (STANDARD)
 A = ALL ASSEMBLED WITH CONNECTOR

ORIENTATION OPTIONS:
 BLANK = DOES NOT HAVE A FIXED ORIENTATION
 F1 = MHF CONNECTION DOWN (L=25-220MM)
 F2 = MHF CONNECTION UP (L=25-220MM)
 (SEE NOTES 1, 2, 3 AND DIAGRAMS FOR MORE INFORMATION)



RECOMMENDED MOUNTING HOLE

REV. DATE & DRN
 10 08/02/17 - NYW RELEASE
 11 08/08/20 - NYW
 ADD NOTE 5-7

Scale: NTS	THIRD ANGLE	Unstated X .XX .XXX ANGLES	Tolerances: N/A N/A N/A N/A	Material SEE NOTE
Drawn: NYW				
App'd: XXX	Title CABLE ASSEMBLY			NOT TO SCALE
Date: 18 AUG. '20	Revision: 1.2			Unit: mm

www.gradconn.com

THIS DRAWING IS CONFIDENTIAL AND MUST NOT BE COPIED OR DISCLOSED WITHOUT WRITTEN CONSENT

Type: Cable 256 RF
CABLE 256 RF
Drawing Number:
Sheet 1 of 1
Drawing © E and O E